

Caliber 283

MOMT283

Anadigit Connected Movement with
Multiple Sensors

Product Specifications:

Analog connected quartz movement with alphanumeric display and multiple sensors.

Caliber	283
Movement Diameter	38.5 mm
Battery Life	24 months*
Hand Fitting	Height 1
Origin	Swiss Made
Jewels	0 (zero)

Reduced consumption in transport and presentation mode (consumption reduction of about 80%)

*Normal use. An extreme use of functionalities may impact the battery life.

Technical Specifications:

Diameter	38.5 mm
Fitting	38.0 mm
Movement height	6.4 mm
Push-piece height	3.25 mm
Battery reference	CR3032
Battery life	24 months
Battery voltage	3 V
Current consumption – average	32 μ A
Current consumption – maximum	5 mA
Operating temperature	0-50°C
Maximum running deviation	\pm 1.7sec/day
Step variability	\pm 6°/month
Hands positioning accuracy	\pm 3°

Features:

Bluetooth Low Energy

Activity tracker (step counting)

Sleep monitoring (sleep patterns)

Notifications (calls, messages, etc.)

Adaptive coaching (health tips)

Worldtimer

Smart alarms

GPS tracking (external) and map display

Chronograph

Count Up/Down

Cloud Backup and restore

Temperature

Barometer

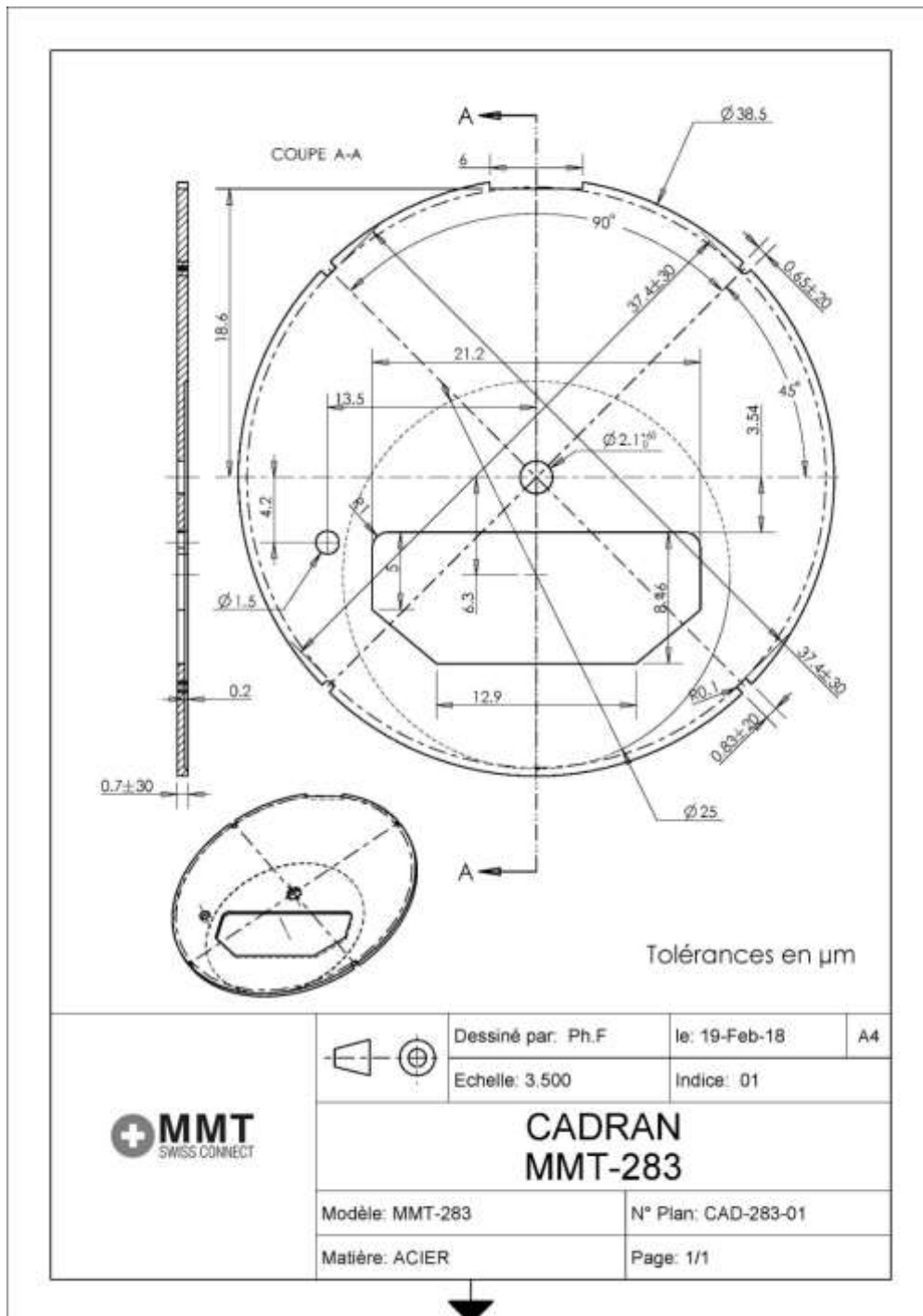
Altitude measurement

Maximum UV index measurement

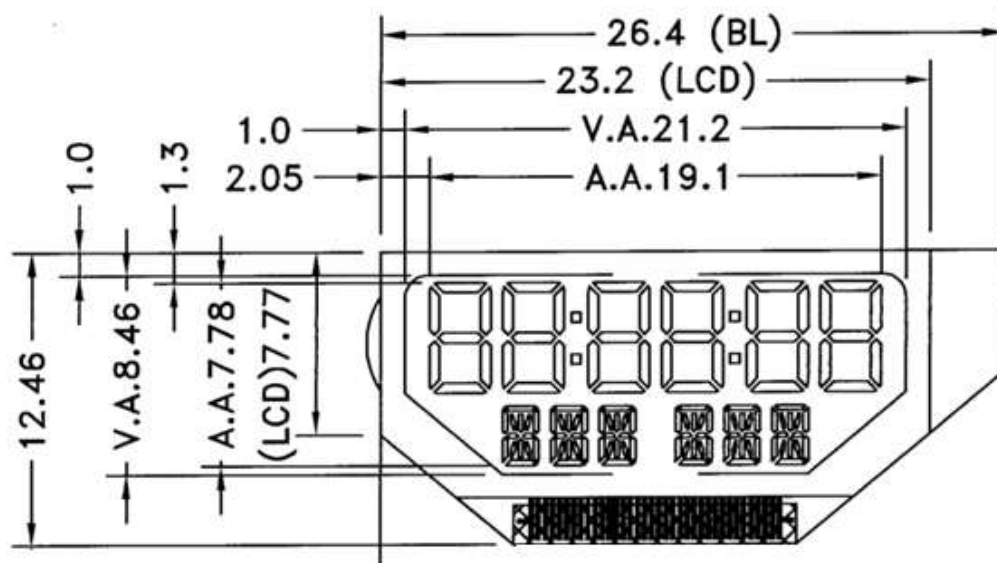
Compass

Alphanumeric LCD display

2. Dial drawing



3. LCD Display



4. Case back engravings

Due to regulations, there are mandatory engravings:

- Model number
- FCC/IC number
- Japan MIC number and logo
- Other particular engravings may be required

5. Piezo element position on case back

Piezo element must be placed at the center of the case back and be 20mm diameter.

6. Pressure sensor and case housing

