	Movement Specification	
	Caliber 286	Date 26.05.2020
	Version 1.0	Approval P. Fraboulet
	Reference: Movement Spec MOMT286	Page 1 / 8


Caliber 286

MOMT286

Rechargeable Connected Movement with
HRM and PMOLED Display

-

Small size for Ladies movements

	Movement Specification	
	Caliber 286	Date 26.05.2020
	Version 1.0	Approval P. Fraboulet
	Reference: Movement Spec MOMT286	Page 2 / 8


Product Specifications:

Analog Connected quartz movement with:

- PMOLED dot matrix display
- Medical grade Heart Rate Monitoring
- Rechargeable battery

Caliber	MOMT286
Movement Diameter	30.0 mm
Battery Autonomy	5 days*
Hand Fitting	Height 1
Origin	Swiss Made
Jewels	0 (zero)


*Normal use. An intense use of some functionalities may decrease the autonomy.

	Movement Specification	
	Caliber 286	Date 26.05.2020
	Version 1.0	Approval P. Fraboulet
	Reference: Movement Spec MOMT286	Page 3 / 8

Technical Specifications:

Diameter	30.0 mm
Fitting	28.7 mm
Movement height	6.4 mm
Battery reference	LIR2032H / 70 mAh
Battery voltage	3.7 V
Operating temperature	0-50°C
Maximum running deviation*	±1.7sec/day
Step variability	±6°/month
Hands positioning accuracy	±3°
PMLOED Display	0.42 Inch
Display resolution	72 x 40 pixels

*Without synchronization to the smartphone.

	Movement Specification	
	Caliber 286	Date 26.05.2020
	Version 1.0	Approval P. Fraboulet
	Reference: Movement Spec MOMT286	Page 4 / 8

Features:

Bluetooth Low Energy

PMOLED display

Activity tracker (step counting, energy expenditure, VO2MAX, Fitness Index)

Sleep monitoring (sleep patterns, Deep-Light-REM-Awake)

Resting Rate, Respiration Rate, Fitness Index

Breathe function (Relaxing)

Workout with external GPS and map display (numerous activity types)

Chronograph

Rechargeable battery

Vibration alerts


Notifications (calls, messages and all other applications)

Worldtimer

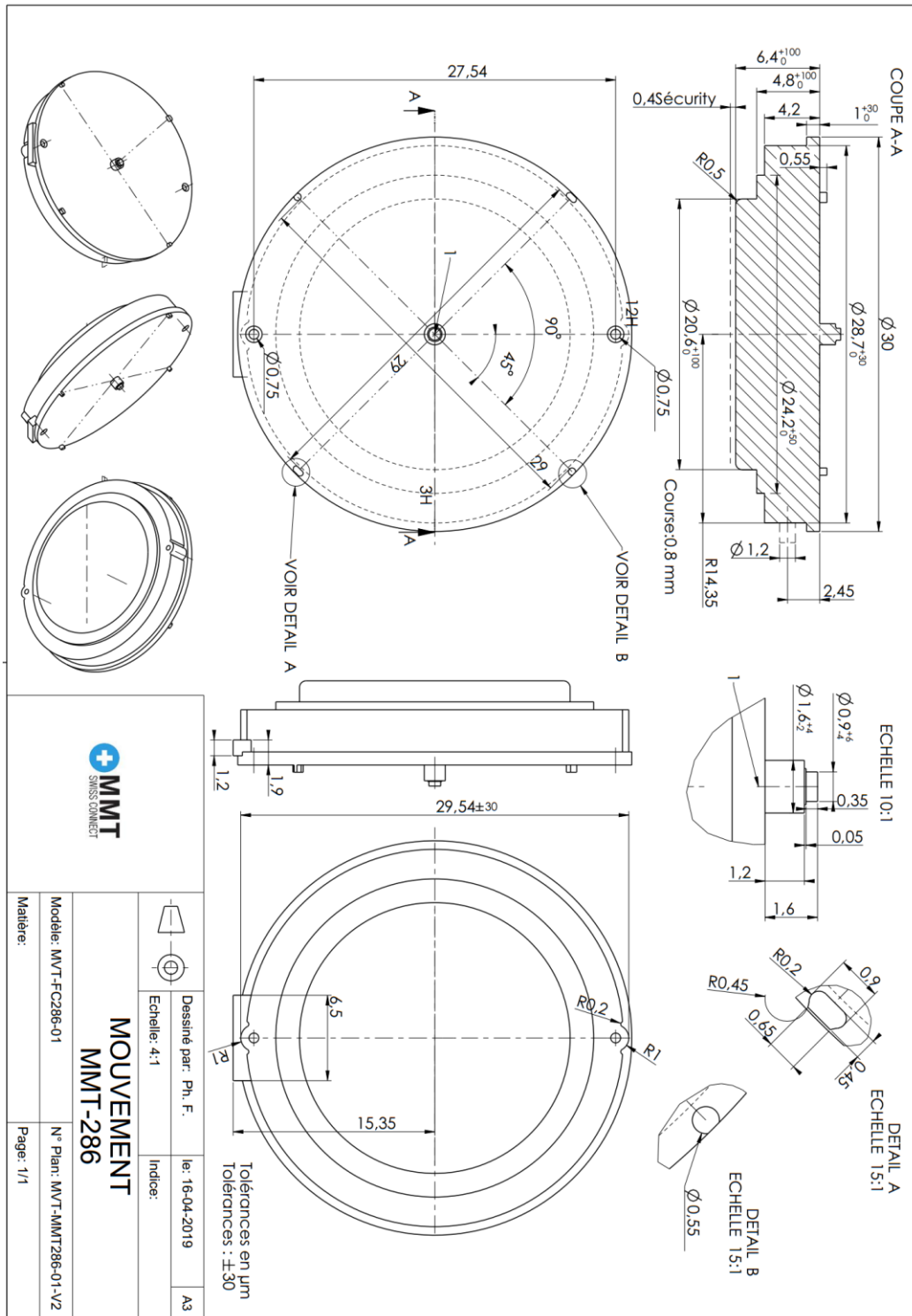
Smart alarms


Weather forecast

Cloud Backup and restore

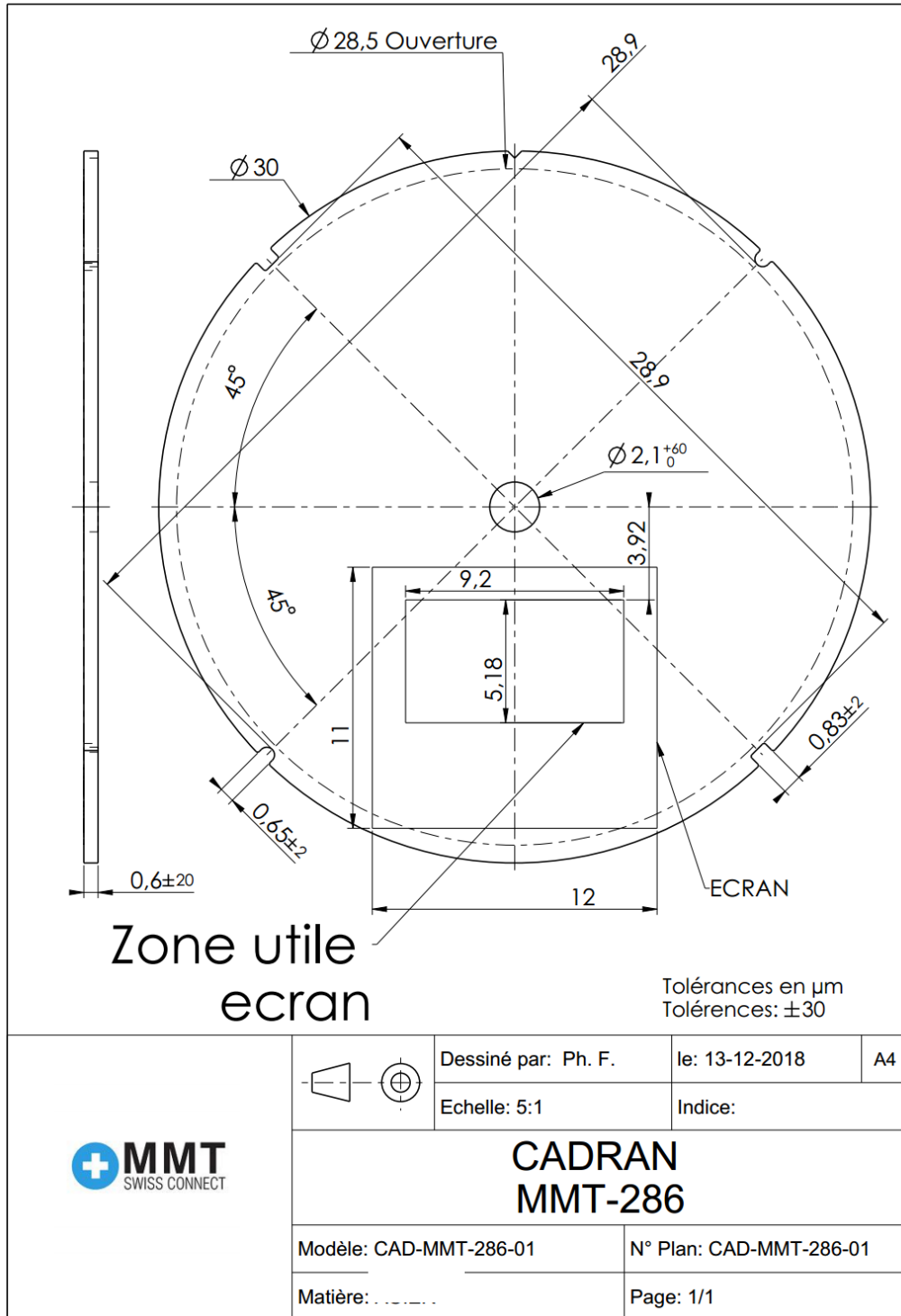
	Movement Specification	
	Caliber 286	Date 26.05.2020
	Version 1.0	Approval P. Fraboulet
	Reference: Movement Spec MOMT286	Page 5 / 8


1. Movement drawing



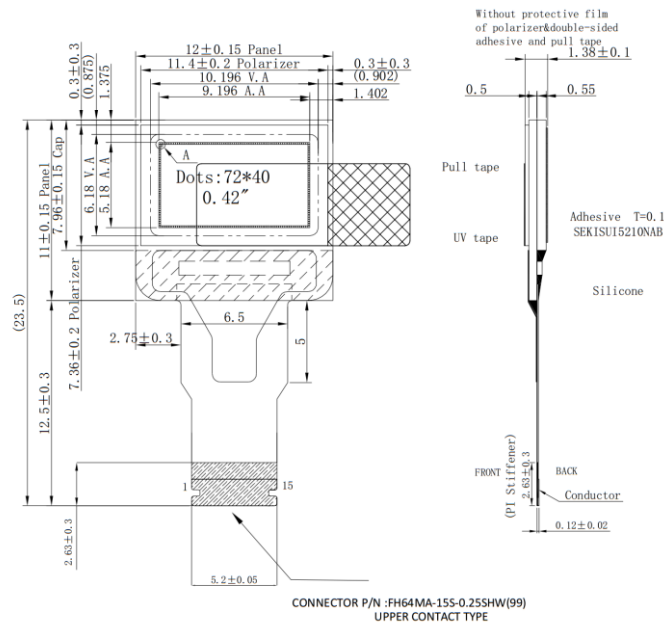
	Movement Specification	
	Caliber 286	Date 26.05.2020
	Version 1.0	Approval P. Fraboulet
	Reference: Movement Spec MOMT286	Page 6 / 8

2. Dial drawing




	Movement Specification	
	Caliber 286	Date 26.05.2020
	Version 1.0	Approval P. Fraboulet
	Reference: Movement Spec MOMT286	Page 7 / 8

3. LCD Display



NO.	ITEM	SPECIFICATION	UNIT
1	Dot Matrix	72(W)×40(H)	-
2	Dot Size	0.108(W)×0.11(H)	mm ²
3	Dot Pitch	0.128(W)×0.13(H)	mm ²
4	Aperture Rate	71	%
5	Active Area	9.196(W)×5.18(H)	mm ²
6	Panel Size	12(W)×11(H) ×1.05(T)	mm ³
7	Module Size	12(W)×23.5(H) ×1.38(T)	mm ³
8	Diagonal A/A Size	0.42	inch
9	Module Weight	TBD ± 10%	gram

	Movement Specification	
	Caliber 286	Date 26.05.2020
	Version 1.0	Approval P. Fraboulet
	Reference: Movement Spec MOMT286	Page 8 / 8

4. Case back engravings

Due to regulations, there are mandatory engravings:

- Model number
- FCC/IC number
- Japan MIC number and logo
- Other particular engravings may be required