
	Movement Specification	
	Caliber 287	Date 26.05.2020
	Version 1.0	Approval P. Fraboulet
	Reference: Movement Spec MOMT287	Page 1 / 8

Caliber 287

MOMT287

Rechargeable Connected Movement with
HRM and PMOLED Display

	Movement Specification	
	Caliber 287	Date 26.05.2020
	Version 1.0	Approval P. Fraboulet
	Reference: Movement Spec MOMT287	Page 2 / 8


Product Specifications:

Analog Connected quartz movement with:

- PMOLED dot matrix display
- Medical grade Heart Rate Monitoring
- Rechargeable battery

Caliber	MOMT287
Movement Diameter	37.7 mm
Battery Autonomy	10 days*
Hand Fitting	Height 1
Origin	Swiss Made
Jewels	0 (zero)


*Normal use. An intense use of some functionalities may decrease the autonomy.

	Movement Specification	
	Caliber 287	Date 26.05.2020
	Version 1.0	Approval P. Fraboulet
	Reference: Movement Spec MOMT287	Page 3 / 8

Technical Specifications:

Diameter	35.7 mm
Fitting	30.6 mm
Movement height	6.4 mm
Battery capacity	180 mAh
Battery voltage	3.7 V
Operating temperature	0-50°C
Maximum running deviation*	±1.7sec/day
Step variability	±6°/month
Hands positioning accuracy	±3°
PMLOED Display	0.68 Inch
Display resolution	96 x 32 pixels

*Without synchronization to the smartphone.

	Movement Specification	
	Caliber 287	Date 26.05.2020
	Version 1.0	Approval P. Fraboulet
	Reference: Movement Spec MOMT287	Page 4 / 8

Features:

Bluetooth Low Energy

PMOLED display

Activity tracker (step counting, energy expenditure, VO2MAX, Fitness Index)

Sleep monitoring (sleep patterns, Deep-Light-REM-Awake)

Resting Rate, Respiration Rate, Fitness Index

Breathe function (Relaxing)

Workout with external GPS and map display (numerous activity types)

Chronograph

Rechargeable battery

Vibration alerts


Notifications (calls, messages and all other applications)

Worldtimer

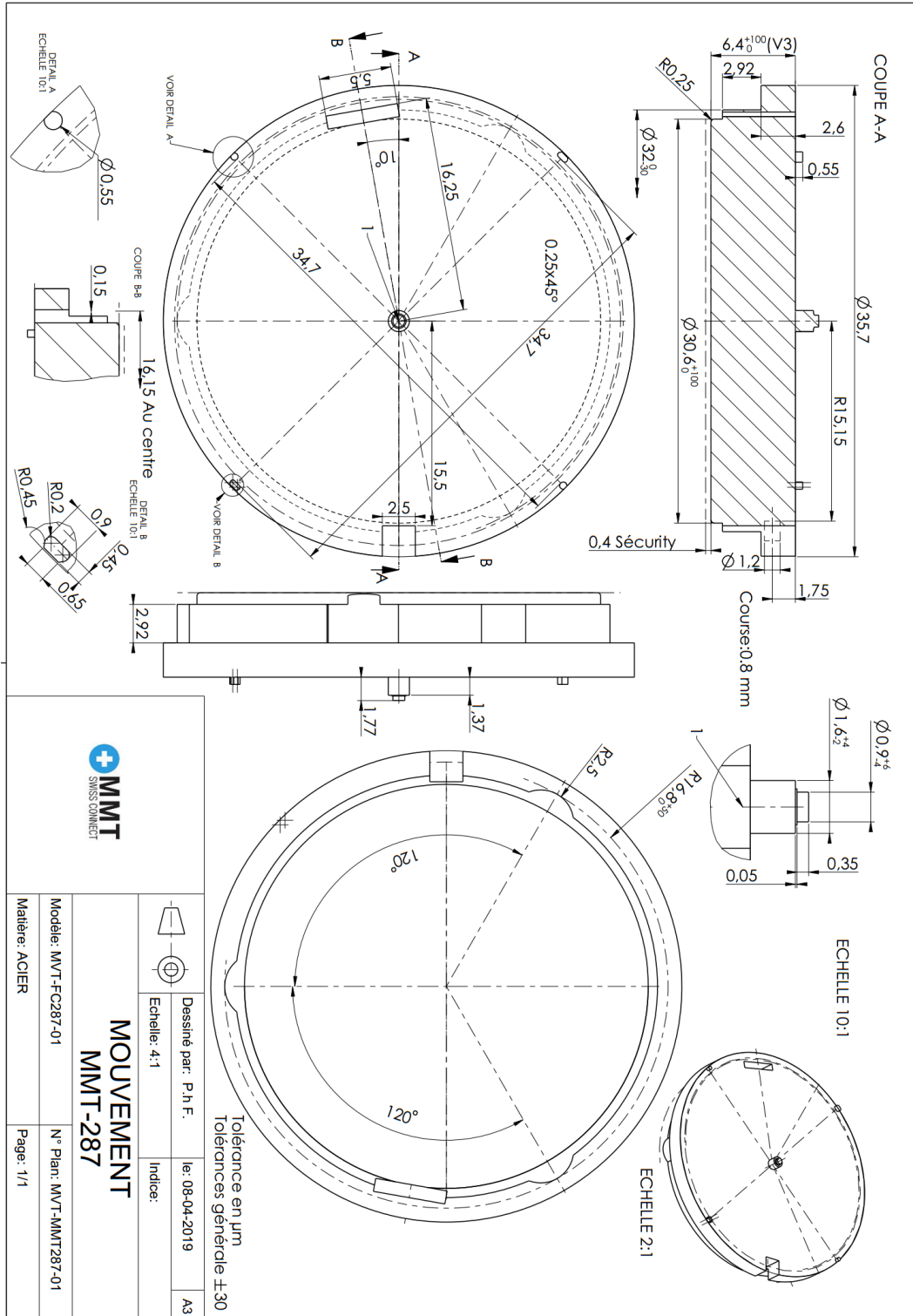
Smart alarms


Weather forecast

Cloud Backup and restore

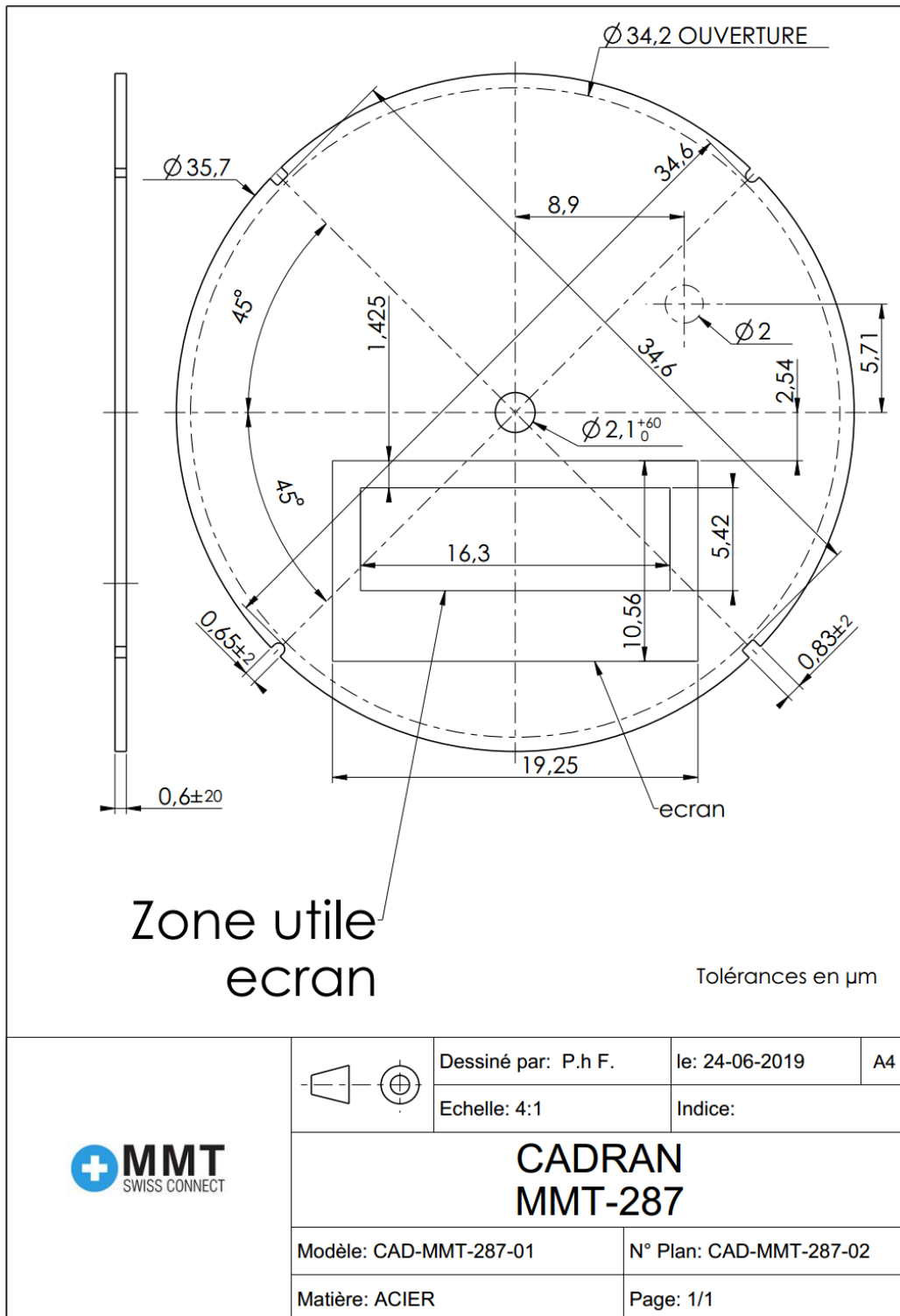
	Movement Specification	
	Caliber 287	Date 26.05.2020
	Version 1.0	Approval P. Fraboulet
	Reference: Movement Spec MOMT287	Page 5 / 8


1. Movement drawing



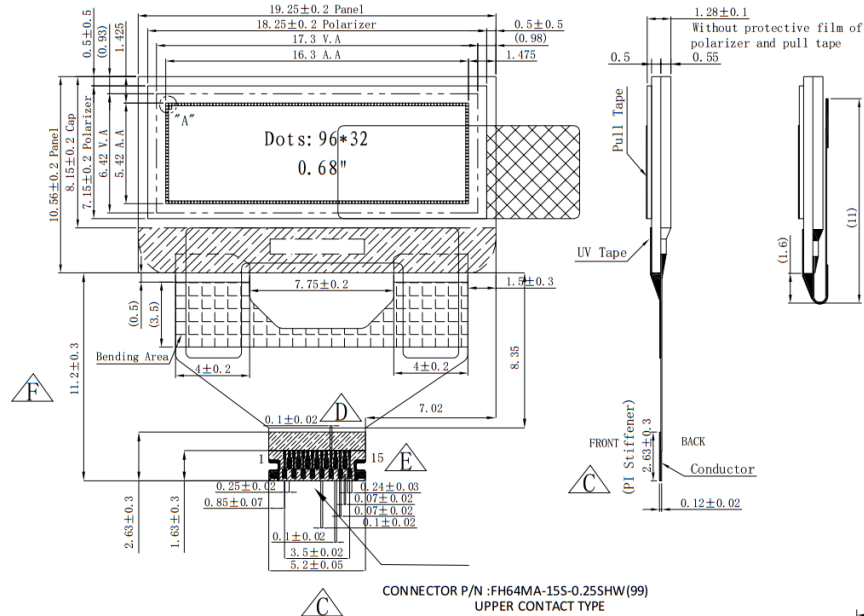
		Movement Specification	
		Caliber 287	Date 26.05.2020
Version 1.0	Approval P. Fraboulet		
Reference: Movement Spec MOMT287	Page 6 / 8		

2. Dial drawing




	Movement Specification	
	Caliber 287	Date 26.05.2020
	Version 1.0	Approval P. Fraboulet
	Reference: Movement Spec MOMT287	Page 7 / 8

3. LCD Display



NO.	ITEM	SPECIFICATION	UNIT
1	Dot Matrix	96(W) \times 32(H)	-
2	Dot Size	0.15(W) \times 0.15(H)	mm ²
3	Dot Pitch	0.17(W) \times 0.17(H)	mm ²
4	Aperture Rate	78	%
5	Active Area	16.3(W) \times 5.42(H)	mm ²
6	Panel Size	19.25(W) \times 10.56(H) \times 1.05(T)	mm ³
7	Module Size	19.25(W) \times 21.76(H) \times 1.28(T)	mm ³
8	Diagonal A/A Size	0.68	inch
9	Module Weight	TBD	gram

	Movement Specification	
	Caliber 287	Date 26.05.2020
	Version 1.0	Approval P. Fraboulet
	Reference: Movement Spec MOMT287	Page 8 / 8

4. Case back engravings

Due to regulations, there are mandatory engravings:

- Model number
- FCC/IC number
- Japan MIC number and logo
- Other particular engravings may be required